

TRAIL-GEAR POWER FLOW STEERING BOX ADJUSTMENT

303951-1 (1986-1995 TOYOTA PICKUP & 4RUNNER)

KIT CONTENTS



NOTICE

Read instructions completely before installing this product. Refer back to the instructions frequently during installation.



CAUTION

Flying Object Hazard.
Fluid Splash Hazard.
Wear safety glasses at all times when working on vehicle.

WARNING

Cancer and Reproductive Harm –
www.P65Warnings.ca.gov

TGI-309171



RECOMMENDED TOOLS

Safety Glasses
Metric Wrench Set
Screwdriver

CAUTION

1. Read all instructions completely and carefully before you begin. If anything is not clear, please call our tech support line at 1.877.4X4.TOYS or 559.252.4950 before proceeding.
2. Check to make sure the kit is complete and that no parts are missing (refer to the Kit Contents Section on the first page of these instructions). If anything is missing, please contact Trail-Gear at 1.877.4X4.TOYS or 559.252.4950.
3. Park vehicle on a clean, dry, flat, level surface and block the tires so the vehicle cannot roll in either direction.
4. This product is for off-road use only. It is recommended that the installation steps below be performed by a competent mechanic. Buyers and users of this product hereby expressly assume all risks associated with the installation and use of this product.

INSTALLATION INSTRUCTIONS



After installing your Power Flow steering box, we recommend you check the steering wheel free play and adjust if needed.

STEP 1

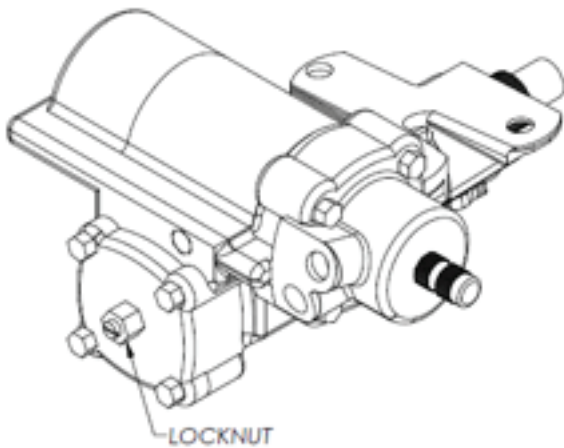
With the vehicle stopped and pointed straight ahead, rock the steering wheel gently back and forth with light finger pressure. Free play should not exceed the maximum limit for the year and model of your vehicle.

STEP 2

If adjustment is needed, point the wheels straight ahead.

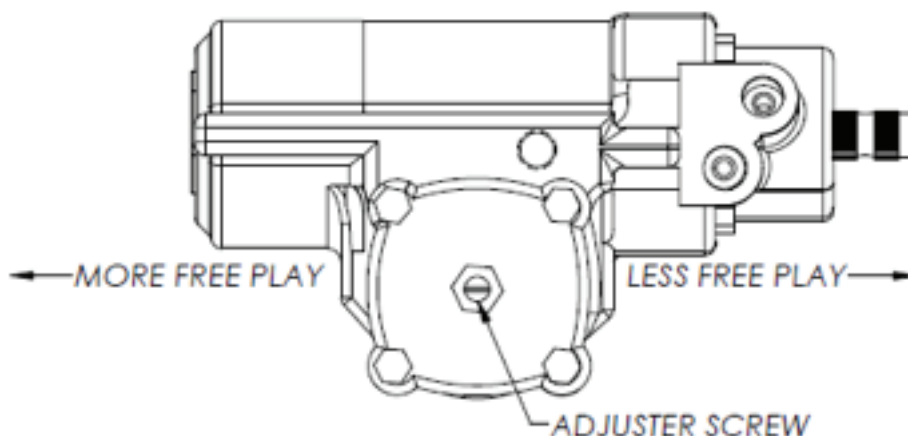
STEP 3

Loosen the lock nut on the adjuster screw.



STEP 4

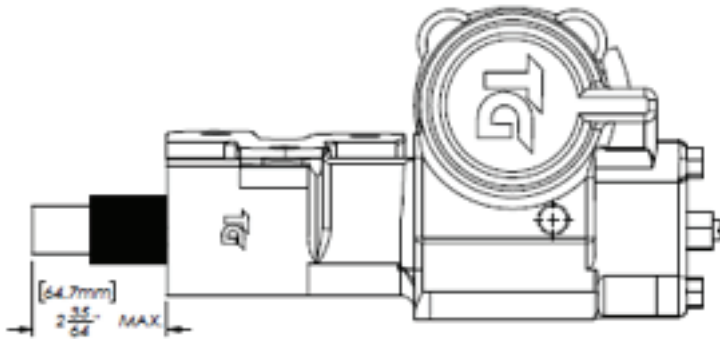
Turn the adjusting screw clockwise to decrease wheel free play and counterclockwise to increase it. For best results, turn the adjusting screw in small increments and check the wheel free play between each adjustment.



INSTALLATION INSTRUCTIONS



Note: The adjusting screw should never be adjusted to the point that the exposed length of the sector shaft exceeds 2-35/64" [64.7 mm], otherwise leaking from the adjustment screw may occur.



STEP 5

Check the steering does not bind. Turn the steering wheel halfway around in both directions and verify that the free play is correct and the steering is smooth without any rough spots.

STEP 6

If steering free play is not correct, repeat Steps 4 & 5 until you have the correct amount of free play.

STEP 7

Hold the adjusting screw with a screwdriver and retighten the locknut.



STEP 8

Take the vehicle for a short, low speed test drive and check steering. If not satisfactory, repeat Steps 3 through 7.