

# INSTALL INSTRUCTIONS



## LOW RANGE OFF-ROAD ULTIMATE TOYOTA E-LOCKER WIRING HARNESS KIT

TDI-ELWH-LP-F & TDI-ELWH-LP-R (LOW PINION LOCKERS)  
TDI-ELWH-HP-F & TDI-ELWH-HP-R (HIGH PINION LOCKERS)



### RECOMMENDED TOOLS

- Safety Glasses
- Metric Ratchet & Socket Set
- Box End Wrench Set
- Screwdriver Set



**WARNING:** Cancer and Reproductive Harm - [www.P65Warnings.ca.gov](http://www.P65Warnings.ca.gov)

**LOW RANGE OFF-ROAD**  
[WWW.LOWRANGEOFFROAD.COM](http://WWW.LOWRANGEOFFROAD.COM)

Instruction P/N LROR-313823 - Revised 7-1-2026

5356 PINE AVE • FRESNO, CA • 93727 USA  
TOLL FREE: 877.4X4.TOYS • WORLDWIDE: 559.252.4950  
[WWW.LOWRANGEOFFROAD.COM](http://WWW.LOWRANGEOFFROAD.COM)

## CAUTION

1. Read all instructions completely and carefully before you begin. If anything is not clear, please call our tech support line at 1.877.4X4.TOYS or 559.252.4950 or e-mail tech@trail-gear.com before proceeding.
2. Check to make sure the kit is complete and that no parts are missing. If anything is missing, please contact Trail-Gear at 1.877.4X4.TOYS or 559.252.4950 or tech@trail-gear.com.
3. Park vehicle on a clean, dry, flat, level surface and block the tires so the vehicle cannot roll in either direction.
4. This product is for off-road use only. It is recommended that the installation steps below be performed by a competent mechanic. Buyers and users of this product hereby expressly assume all risks associated with the installation and use of this product.





## BEFORE BEGINNING INSTALLATION

### STEP 1

Verify that the differential plug is compatible with the Ultimate Toyota E-Locker Wiring Harness. If your plugs do not match the 6-pin plugs shown below, then your E-locker will not work with the Ultimate Toyota E-Locker Wiring Harness.

**Low Pinion Style Plug (on differential)**



**High Pinion (FJ80 Style) Plug (on differential)**



### STEP 2

There are rare E-Locker variants that use 8-pin connector. They are mostly found on 2011-2015 Tacoma. The Ultimate Toyota E-Locker Wiring Harness is not compatible with these variants.

### STEP 3

Ultimate Toyota E-Locker Wiring Harness are not compatible with 2016+ Tacoma E-Lockers.

### STEP 4

If a problem is suspected with the Ultimate Toyota E-Locker Wiring Harness, please call the Tech Support line for assistance. Do not cut, alter, or dissect the wiring harness. Modifying the harness will void the warranty.

## INSTALLATION INSTRUCTIONS

### STEP 1

Disconnect battery.

### STEP 2

Connect both E-locker Harness plugs to differential.

### STEP 3

Connect power wire to battery.

### STEP 4

Install switch in dashboard.

### STEP 5

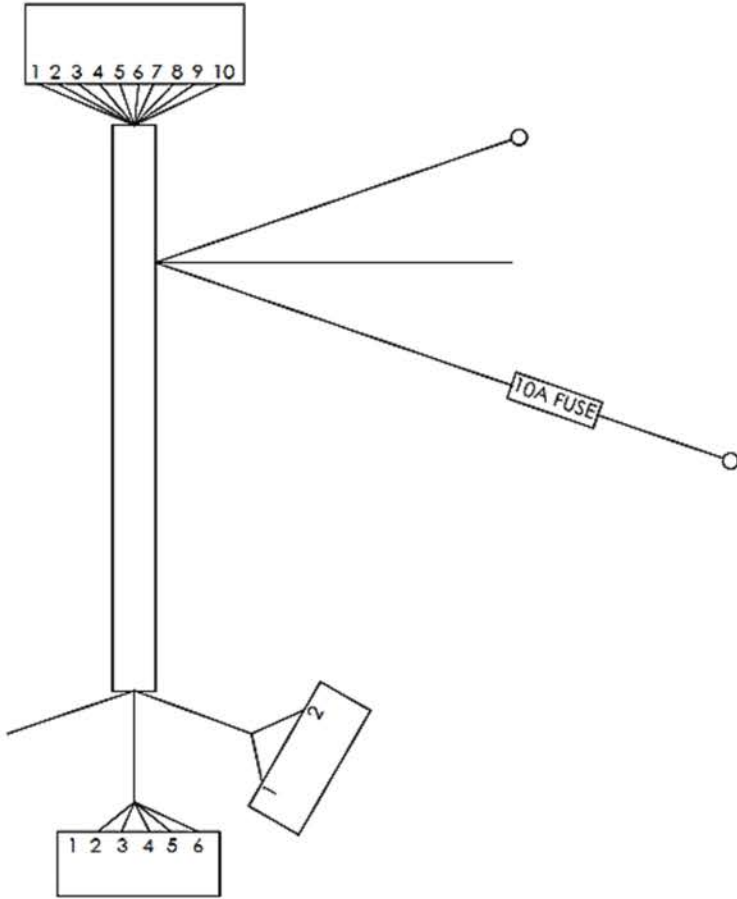
Using fuse taps, connect illumination wire to a fuse that is powered when lights are on.

### STEP 6

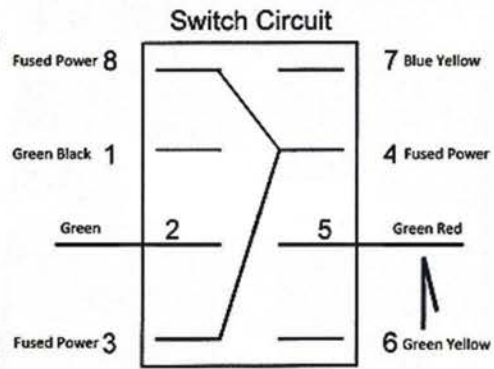
Reconnect battery & verify e-locker function.



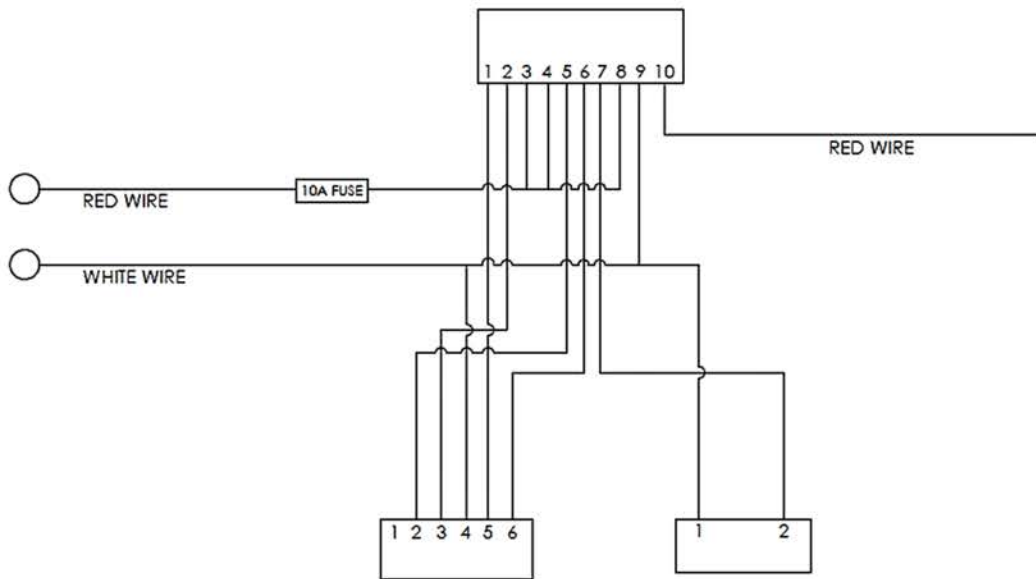
# LOW PINION HARNESS WIRING DIAGRAMS



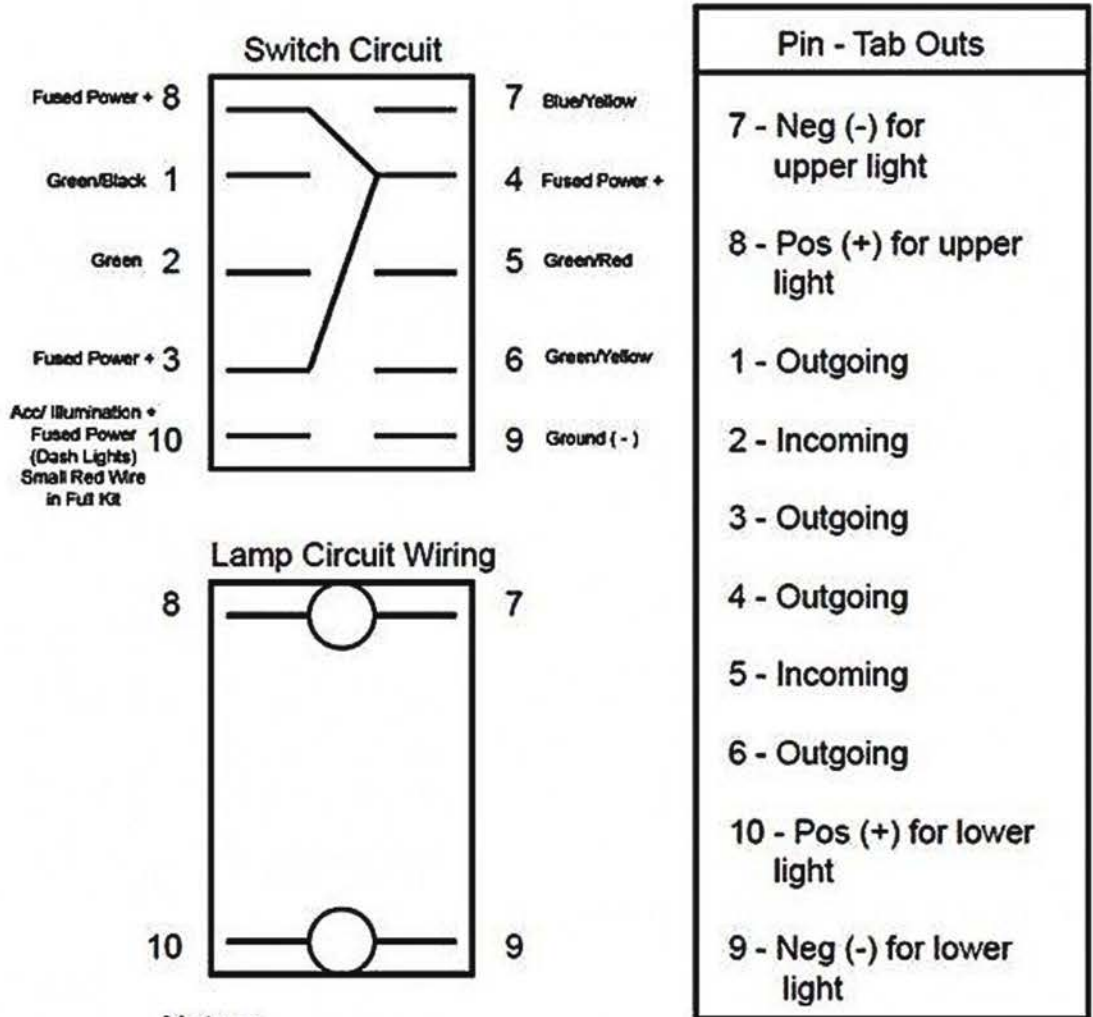
Toyota E-locker Wiring Diagram  
Standard Pinion



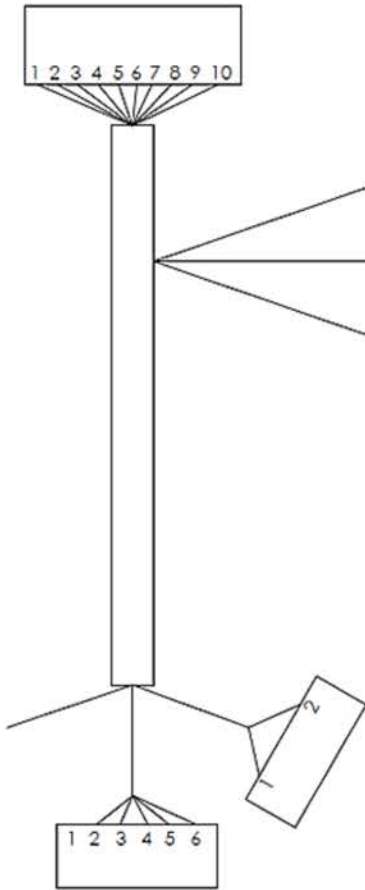
Attach Both White/Black Wires to Ground



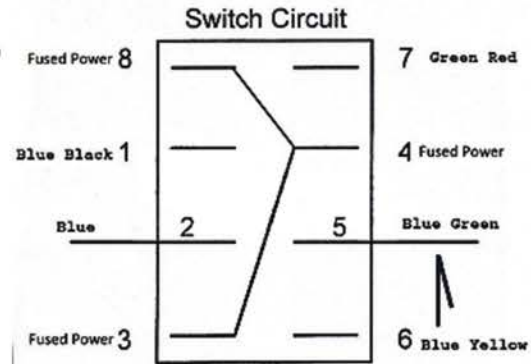
## Standard / Low Pinion E-Locker Switch Wiring Diagram for 10 Pin Switch



# HIGH PINION HARNESS WIRING DIAGRAMS



**Toyota E-locker Wiring Diagram**  
High Pinion / FJ80 Reverse Rotation



**Attach Both White/Black Wires to Ground**

