

INSTALLATION INSTRUCTIONS



TACOMA DRIVELINE CARRIER BEARING RELOCATION KIT

302512-1-KIT (2005-2014 TOYOTA TACOMA PRERUNNER/4WD)

KIT CONTENTS:





RECOMMENDED TOOLS

Ratchet & Socket Set (With Hex Bits)
Torque Wrench
Jack Stands
Floor Jack

CAUTION

1. Read all instructions completely and carefully before you begin. If anything is not clear, please call our tech support line at 1.877.4X4.TOYS or 559.252.4950 before proceeding.
2. Check to make sure the kit is complete and that no parts are missing (refer to the Kit Contents Section on the first page of these instructions). If anything is missing, please contact Trail-Gear at 1.877.4X4.TOYS or 559.252.4950.
3. Park vehicle on a clean, dry, flat, level surface and block the tires so the vehicle cannot roll in either direction.
4. This kit is for off-road use only. It is recommended that the installation steps below be performed by a competent mechanic. Buyers and users of this product hereby expressly assume all risks associated with the installation and use of this kit.

INSTALLATION INSTRUCTIONS



STEP 1

Place the vehicle securely on jack stands.

STEP 3

Install one of the zinc-plated steel brackets onto the frame crossmember. The threaded hole in the relocation bracket should be pointing towards the back of the vehicle. Secure the bracket to the frame using one of the M10 flat head screws and one of the M10 hex bolts and nylock nuts. The flat head screw should be installed in the threaded carrier bearing mounting hole on the frame crossmember.

STEP 4

Repeat Step 3 for the opposite side of the frame crossmember.

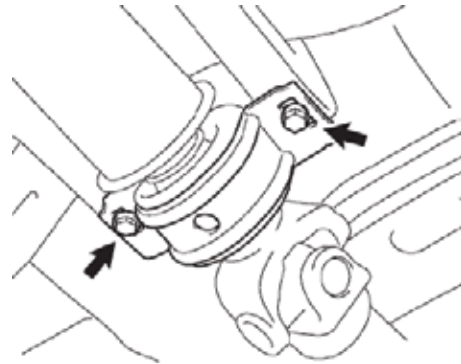
STEP 6

Mount the carrier bearing to the relocation brackets using the (2) stock bolts removed in Step 2. Torque both bolts to 27 ft-lbs or to the torque value specified in the Toyota Tacoma Factory Service Manual.



STEP 2

Loosen and remove the (2) M10 bolts holding the Center Drive Shaft Bearing to the frame crossmember. Save the (2) bolts for reinstallation.



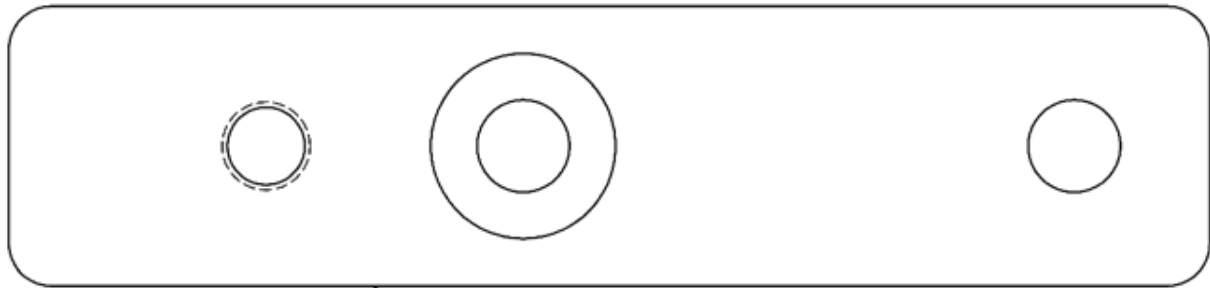
STEP 5

Torque the M10 hardware to 27 ft-lbs or to the torque value specified in the Toyota Tacoma Factory Service Manual.

STEP 7

Remove the jack stands from the vehicle. Take the vehicle for a short test drive. After the test drive, check the torque on all hardware and tighten as necessary.

SERVICE PARTS



302449-1



100089-1



100091-1



140108-1