

INSTALLATION INSTRUCTIONS



SAMURAI SUPER METAL KNUCKLE BOLT KIT

301390-3-KIT (1986-1995 SUZUKI SAMURAI)

KIT CONTENTS





RECOMMENDED TOOLS

Ratchet & Socket Set
Torque Wrench
Floor Jack
Jack Stand

CAUTION

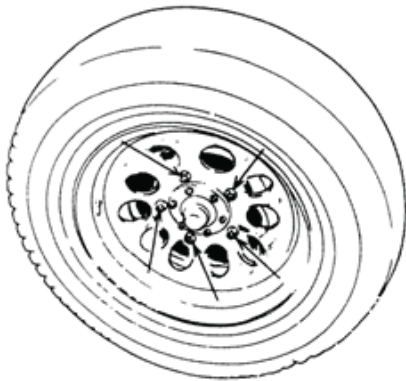
1. Read all instructions completely and carefully before you begin. If anything is not clear, please call our tech support line at 1.877.4X4.TOYS or 559.252.4950 before proceeding.
2. Check to make sure the kit is complete and that no parts are missing (refer to the Kit Contents Section on the first page of these instructions). If anything is missing, please contact Trail-Gear at 1.877.4X4.TOYS or 559.252.4950.
3. Park vehicle on a clean, dry, flat, level surface and block the tires so the vehicle cannot roll in either direction.
4. This kit is for off-road use only. It is recommended that the installation steps below be performed by a competent mechanic. Buyers and users of this product hereby expressly assume all risks associated with the installation and use of this kit.
5. This installation is typical for most Suzuki Samurai vehicles. Some years or models may vary. If necessary, refer to the proper Factory Service Manual for the year and model of your Samurai.

INSTALLATION INSTRUCTIONS



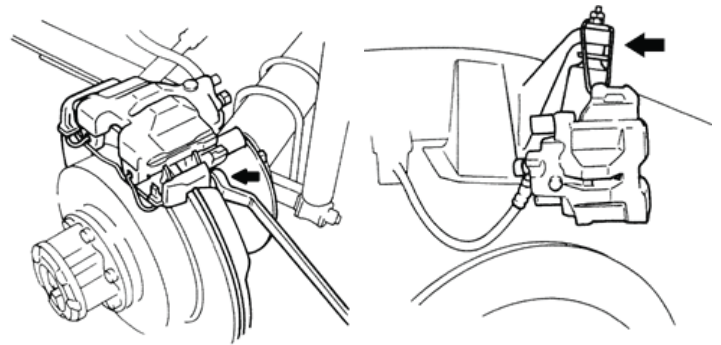
STEP 1

Loosen the (5) lug nuts securing the driver's side wheel to the axle. Raise the front end with a floor jack and place a jack stand under the frame. Remove the (5) lug nuts and remove the wheel from the axle. Save the wheel & lug nuts for reinstallation.



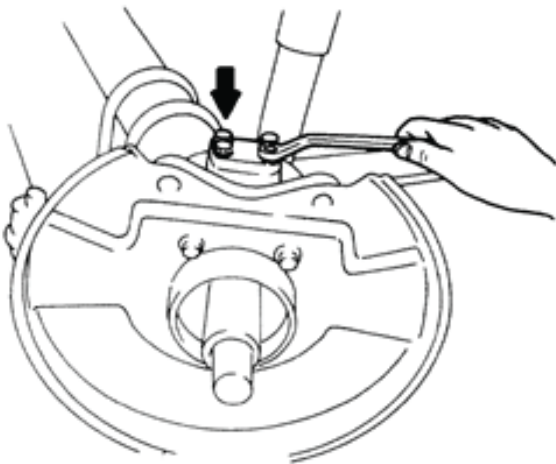
STEP 2

Remove the brake calipers by loosening the carrier bolts. Hang the caliper from a wire hook as shown to avoid stretching the brake lines. Use care to make sure that the brake hose does not get twisted. DO NOT depress the brake pedal, or the piston will pop out of the caliper.



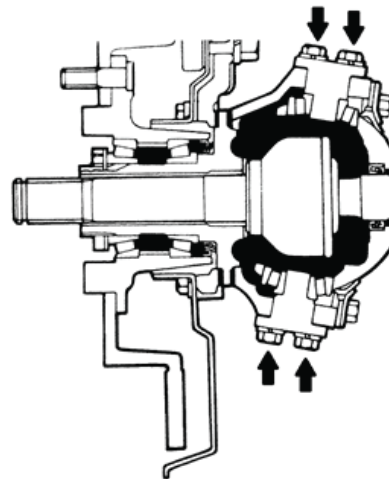
STEP 3

Loosen, but do not remove, the (4) bolts on both the upper and lower King Pins. Note: Rotor & hub are shown removed for clarity.



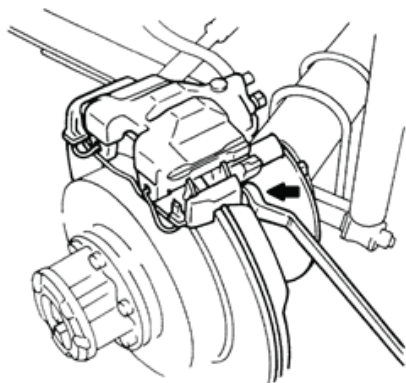
STEP 4

One at a time, replace each bolt with a new Super Metal King Pin Bolt and Washer. Torque each King Pin Bolt to 14.5-21.5 ft-lbs (20-30 N-m) or to the torque specified in the Suzuki Samurai Factory Service Manual.



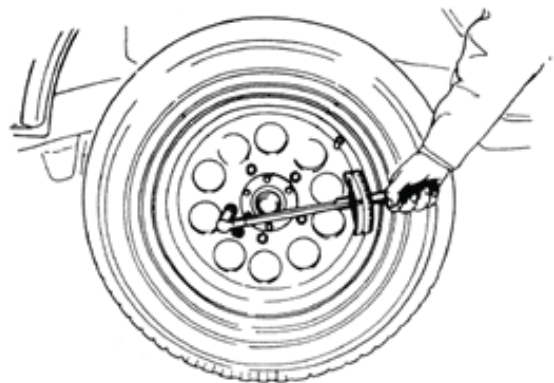
STEP 5

Reinstall the brake caliper and tighten the carrier bolts. Torque the carrier bolts to 51-72 ft-lbs (70-100 N-m) or to the torque specified in the Suzuki Samurai Owner's Manual.



STEP 6

Reinstall the wheel and lug nuts. Torque the lug nuts to torque specified in your Suzuki Samurai Owner's Manual.



INSTALLATION INSTRUCTIONS



STEP 7

Lower the vehicle. Repeat Steps 1-7 for the other side of the vehicle.

STEP 8

Take the vehicle for a short test drive. After the test drive, check the torque on the King Pin bolts and tighten as necessary.

REPLACEMENT PARTS

